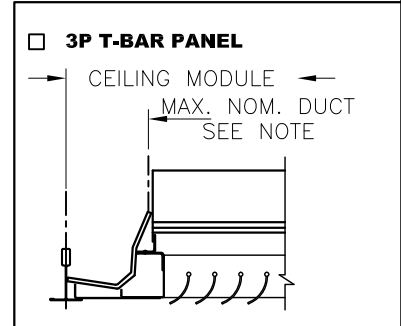
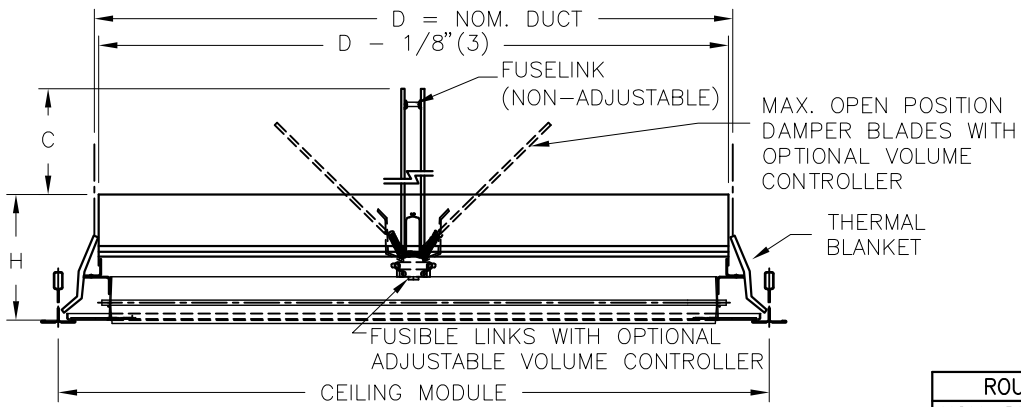
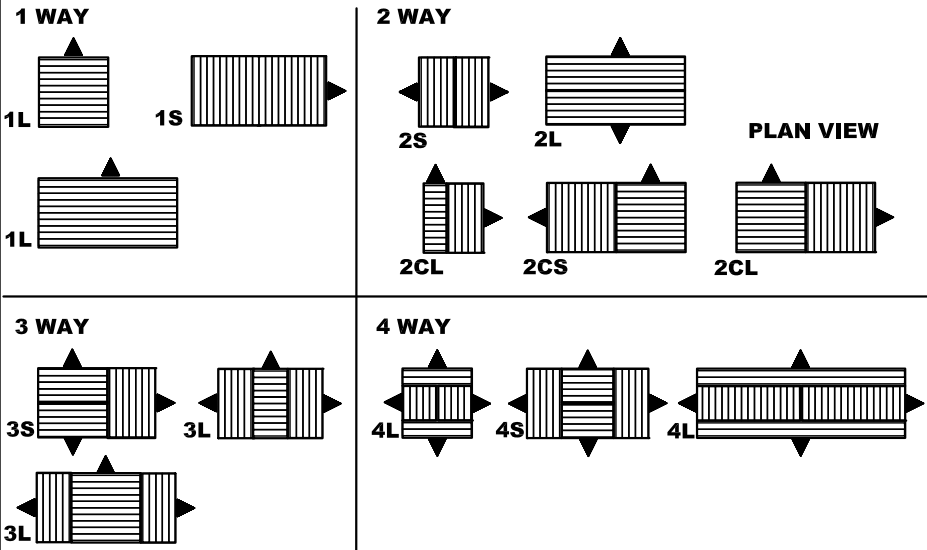


SCVD-FR STEEL CURVED VANE FIRE RATED DIFFUSER



ROUND NECK		SQUARE NECK	
NOM. DUCT	C	NOM. DUCT	C
6 (152)	1 (25)	6 X 6	2
8 (203)	2 (51)	(152 X 152)	(51)
10 (254)	3 (76)	8 X 8	3
12 (305)	4 (102)	(203 X 203)	(76)
14 (356)	5 (127)	10 X 10	4
15 (381)	5½ (140)	(254 X 254)	(102)
		12 X 12	5
		(305 X 305)	(127)
		14 X 14	6
		(356 X 356)	(152)
		15 X 15	6½
		(381 X 381)	(165)
		16 X 16	7
		(406 X 406)	(178)
		18 X 18	8
		(457 X 457)	(203)
		20 X 20	9
		(508 X 508)	(229)
		22 X 22	10
		(559 X 559)	(254)

SQUARE NECK
H = 4 (102)
ROUND NECK
H = 5 (127)



CEILING MODULE	BORDER STYLE 3 T-BAR LAY-IN	
	SQUARE NECK	ROUND NECK
12 X 12	6X6, 8X8, 10X10	6, 8, 10
24 X 24	6X6,8X8,10X10,12X12 14X14,15X15,16X16, 18X18,20X20,22X22	6,8,10,12,14,15

CEILING MODULE		3P T-BAR LAY-IN PANEL OPTION	
IMPERIAL	METRIC	SQUARE NECK	ROUND NECK
12 X 12	300X300	6X6, 8X8	6, 8
24 X 24	600X600	6X6,8X8,10X10,12X12 14X14,15X15,16X16, 18X18,20X20	6,8,10,12,14,15

NOTE:

- FIRE RATED 3 HOUR.
- UL CLASSIFIED FIRE RATED CEILING DIFFUSER ASSEMBLY. LISTED IN UNDERWRITERS LABORATORIES FIRE RESISTANCE DIRECTORY
- ULC CLASSIFIED FIRE RATED CEILING DIFFUSER ASSEMBLY LISTED IN UNDERWRITERS OF CANADA LABORATORIES LIST OF EQUIPMENT AND MATERIALS.
- SIZES 12x12, 20x20 & 24x24 AVAILABLE IN 1, 2, 3 & 4 WAY AIR PATTERNS.
- RECTANGULAR UNITS ARE AVAILABLE IN THE FOLLOWING LISTED DUCT DIMENSIONS: 18x6, 20x8, 22x10
- DUCT: STEEL OR FLEX DUCT CONNECTIONS (BY OTHERS) AS PER FIRE RATED DESIGN REQUIREMENTS.
- INSTALLATION INSTRUCTIONS: 228792 OR FOR PANEL SEE SUBMITAL 233667
- FIRE RATED DIFFUSERS ARE TO BE INSTALLED IN FIRE RATED T-BAR APPLICATIONS ONLY.

ALL METRIC DIMENSIONS () ARE SOFT CONVERTED. IMPERIAL DIMENSIONS ARE CONVERTED TO METRIC AND ROUNDED TO THE NEAREST MILLIMETER.

MATERIAL:

- STEEL CONSTRUCTION
- CEILING RADIATION DAMPER: GALVANIZED STEEL, BUTTERFLY TYPE
- THERMAL BLANKET: NON ASBESTOS

FINISH:

- B12 WHITE (OPTIONAL FINISHES AVAILABLE)

OPTIONS:

- ADJUSTABLE VOLUME CONTROLLER (ALLEN KEY ADJUSTABLE)
- 165°F (74°C) FUSIBLE LINK (STANDA C)
- 212°F (100°C) FUSIBLE LINK



PROJECT:

ENGINEER:

CUSTOMER:

SUBMITTAL DATE:

SPEC. SYMBOL:

2015/03/31



SCVD-FR
STEEL CURVED VANE
FIRE RATED DIFFUSER